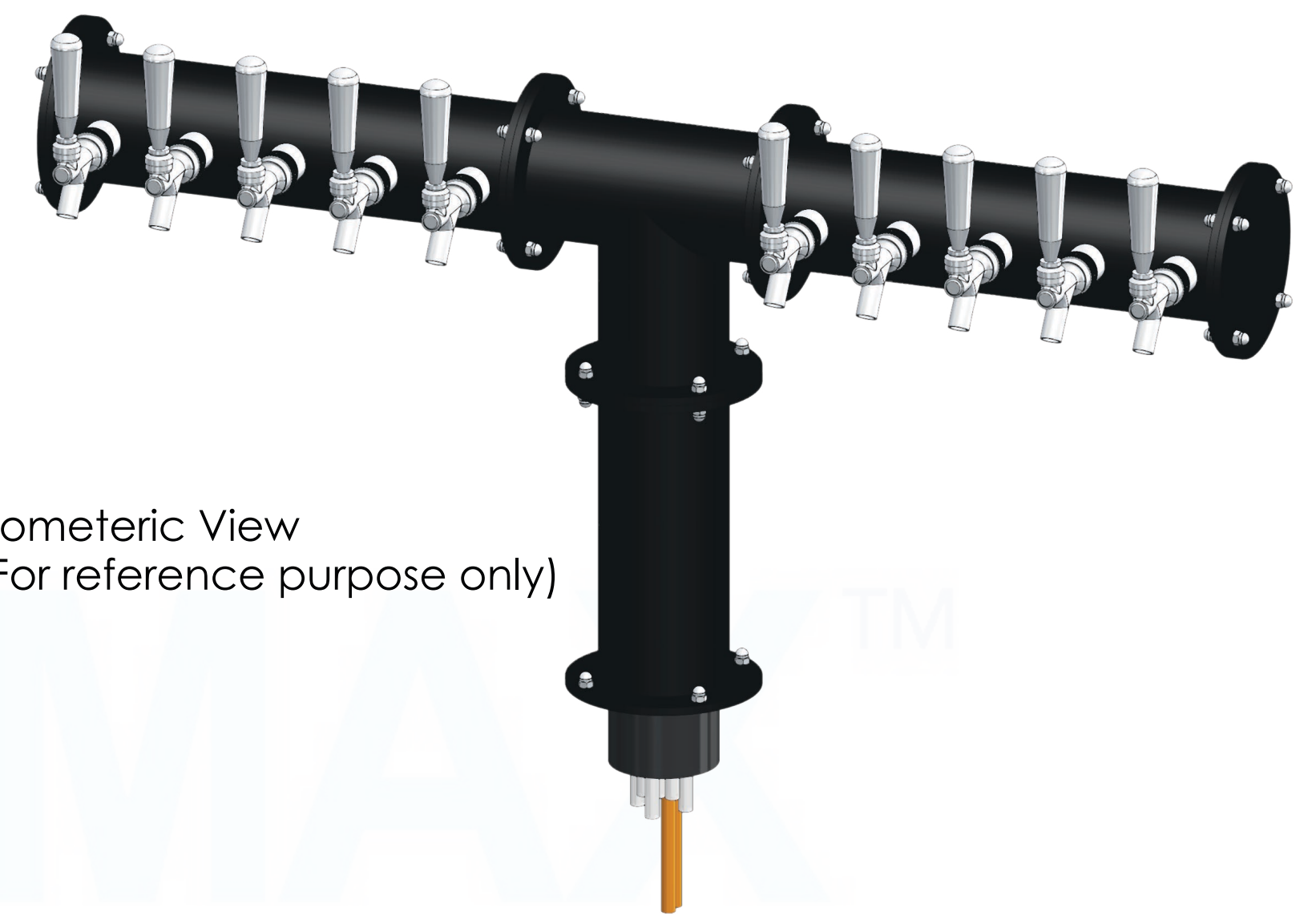
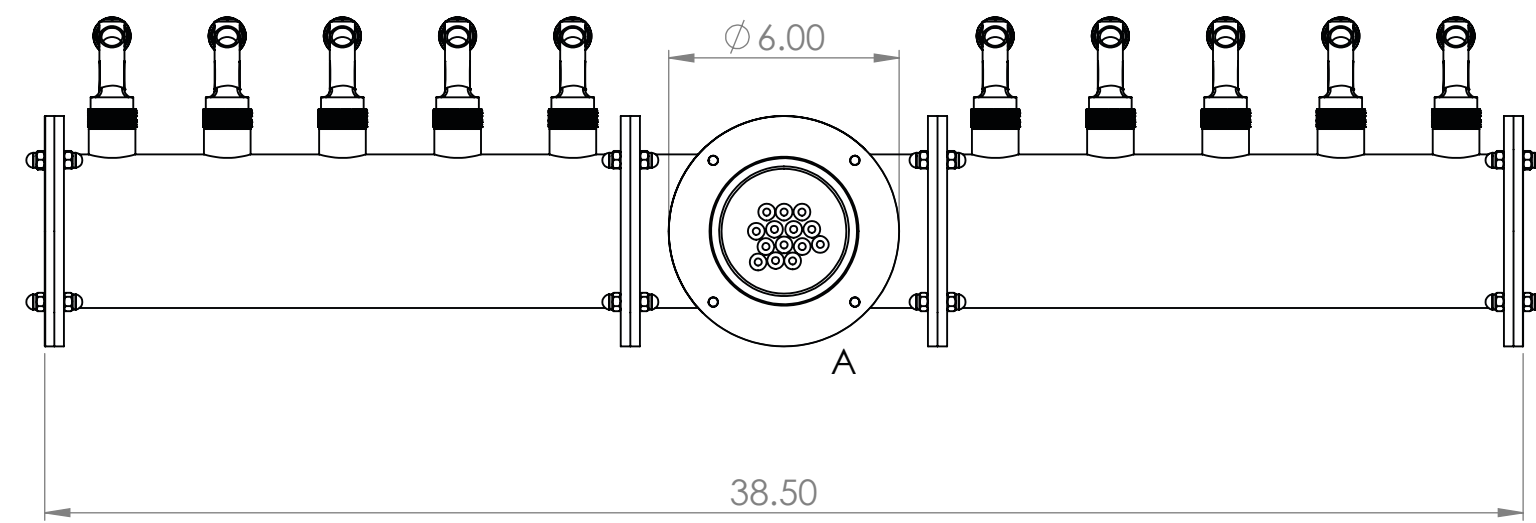
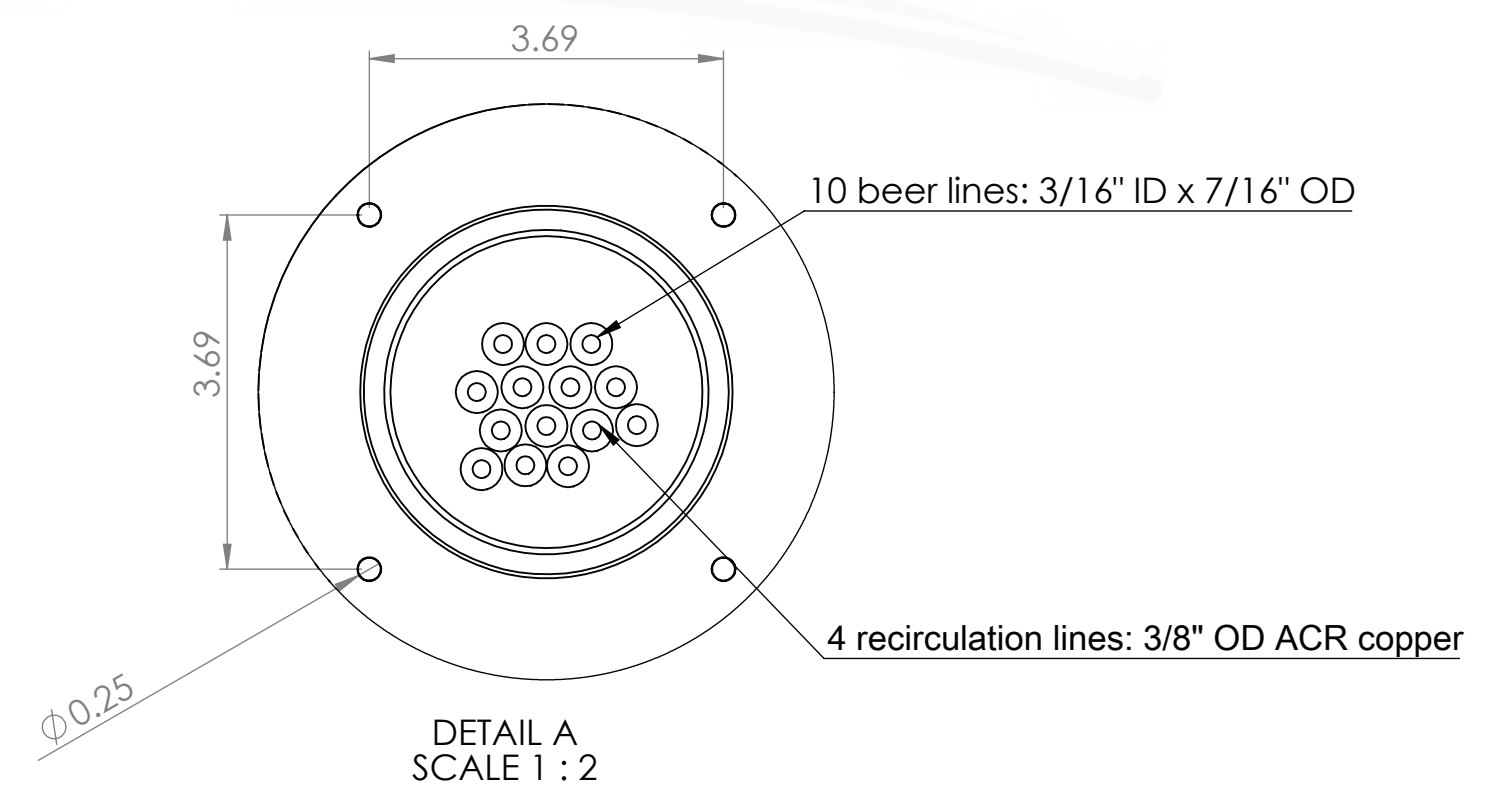


304SS tube connected to CBS NSF Flexible Total Barrier Tubing to 15lbs of Restriction



Isometric View
(For reference purpose only)



Suggested Drip Tray:
 BB701339 - 39" x 7" BSS Drip Tray
 BB702439 - 39" x 7" BSS Spray Drip Tray



Name		Date		Title:	
Drawn By:	Chillmax Beverages Solutions, LLC	11/22/2024		10T(3"OC) MATTE BLACK CONDOR "T" CH-MX CLD	
Approved By:	Production Manager				
Material:	304 SS	Finish:	MATTE BLACK		
Part Number:			Revision:		
BB101810-MB-10GC					
Unless otherwise mentioned, dimensions are inches.				Scale: 1:5	